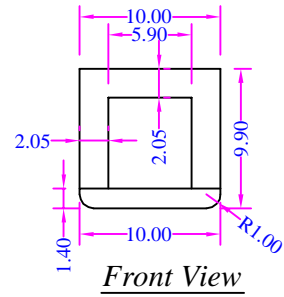
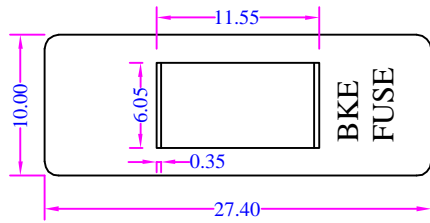


Side View

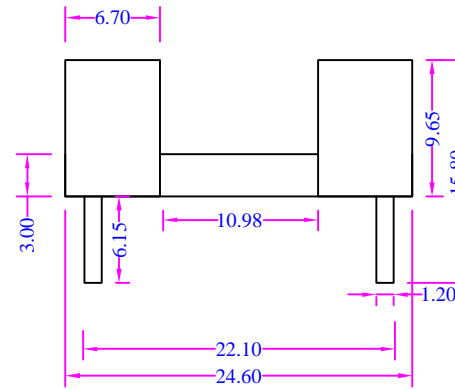


Front View

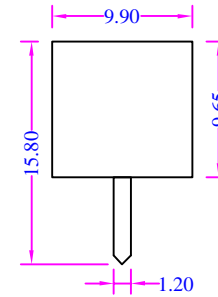


Bottom View

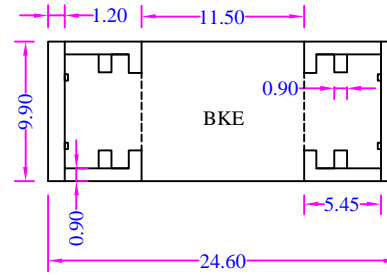
Fuse Cap



Side View



Front View



Top View

Fuse Holder